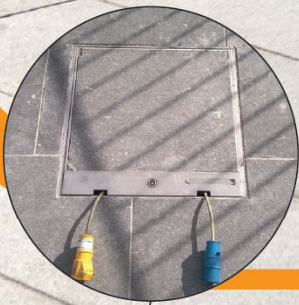


IN GROUND UNITS



All In Ground Units are recessed which makes them perfect for Public Realm areas. They also prevent Cable Clutter in Markets, Stadia and Retail Parks.

Applications

- Public Realm
- Markets
- Town Squares
- Retail Parks
- Stadia
- Marinas



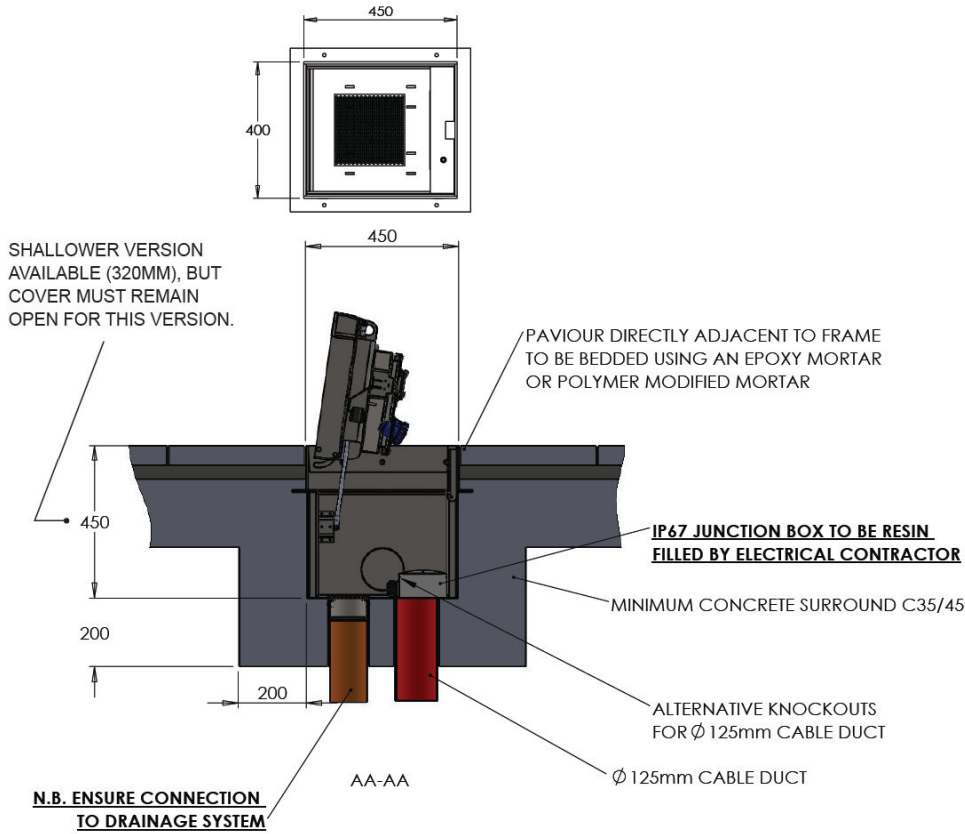


TYPE 1 - IN GROUND POWER UNIT - KIGU 400/450

Our smallest model, **Type 1** contains 1 or 2 power sockets (16A or 32A) plus an RCBO. All of which are IP67 rated.

Features

- Gas Rams
- 2 x IP67 rated sockets as standard
- Slam lock
- Excellent for market trading areas
- Drain point with anti-rodent mesh
- Galvanised version available
- Chequerplate tops available
- Loading FACTA B



Loading FACTA B
(FACTA C and FACTA D available)



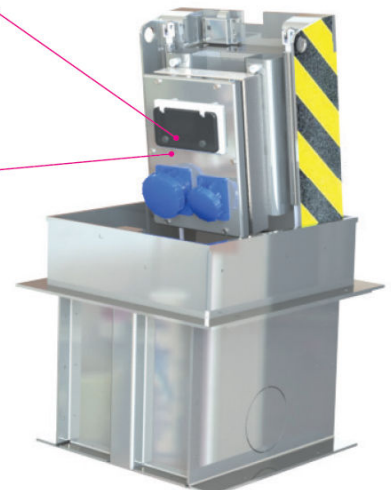
16/32 amp



RCBO



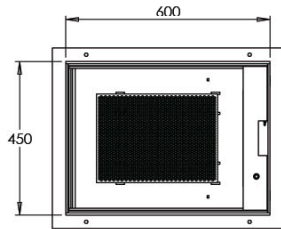
CONFIGURATION OPTIONS



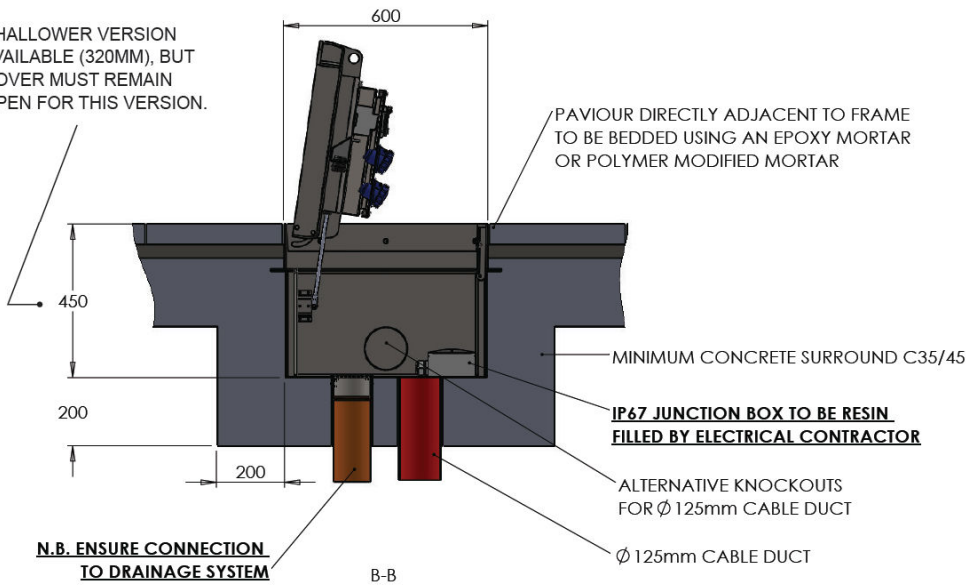


TYPE 2 - IN GROUND POWER UNIT - KIGU 450/600

Our mid range model, **Type 2** contains 3 or 4 power sockets (16A or 32A) plus an RCBO. Or alternatively, it can contain 2 power sockets (16A or 32A) plus up to 4 RJ45 data points. All are IP67 rated.



SHALLOWER VERSION AVAILABLE (320MM), BUT COVER MUST REMAIN OPEN FOR THIS VERSION.



Features

- Gas Rams
- 4 x IP67 rated sockets as standard
- Slam lock
- Excellent for market trading areas
- Drain point with anti-rodent mesh
- Galvanised version available
- Chequerplate tops available
- Loading FACTA B



Loading FACTA B
(FACTA C and FACTA D available)



16/32 amp



RCBO



RJ45

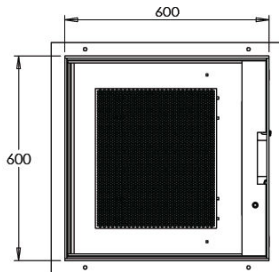
CONFIGURATION OPTIONS



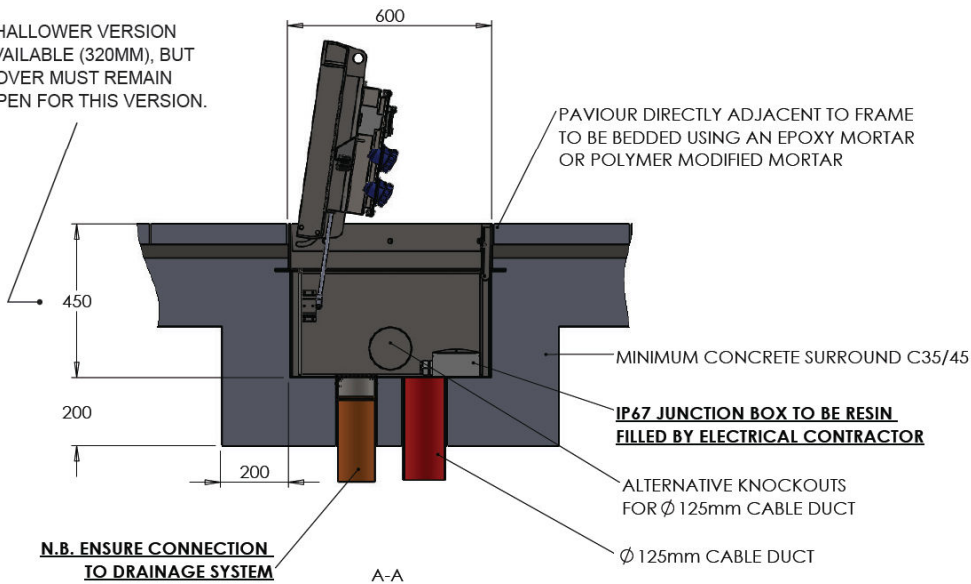


TYPE 3 - IN GROUND POWER UNIT - KIGU 600/600

Our largest model, **Type 3** contains 4 power sockets (16A or 32A) plus an RCBO, plus up to 4 RJ45 data points. All are IP67 rated.



SHALLOWER VERSION AVAILABLE (320MM), BUT COVER MUST REMAIN OPEN FOR THIS VERSION.



Features

- Gas Rams
- 4 x IP67 rated sockets and 4 x RJ45 data points
- Slam lock
- Excellent for market trading areas
- Drain point with anti-rodent mesh
- Galvanised version available
- Chequerplate tops available
- Loading FACTA B



Loading FACTA B
(FACTA C and FACTA D available)



16/32 amp



RCBO



RJ45

CONFIGURATION OPTIONS



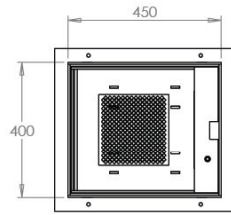


TYPE 4 - IN GROUND POTABLE WATER UNIT – KIGPWU400/450

A Type 1 IGU box can also contain a Potable Water Bib Tap.

Areas of Use

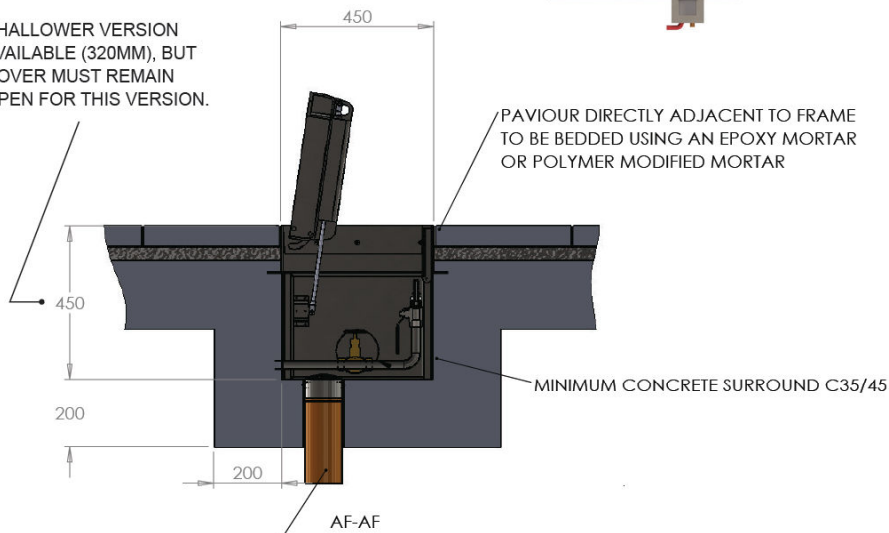
- Soft Landscape Irrigation
- Potable Water Refill Point
- Power Hose Connection Point



Loading FACTA B
(FACTA C and FACTA D available)



SHALLOWER VERSION AVAILABLE (320MM), BUT COVER MUST REMAIN OPEN FOR THIS VERSION.



N.B. ENSURE CONNECTION TO DRAINAGE SYSTEM

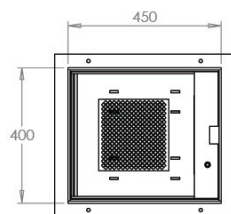


TYPE 5 - IN GROUND GREY WATER UNIT – KIGGWU400/450

A Type 1 IGU box can also contain a Grey Water Outlet.

Areas of Use

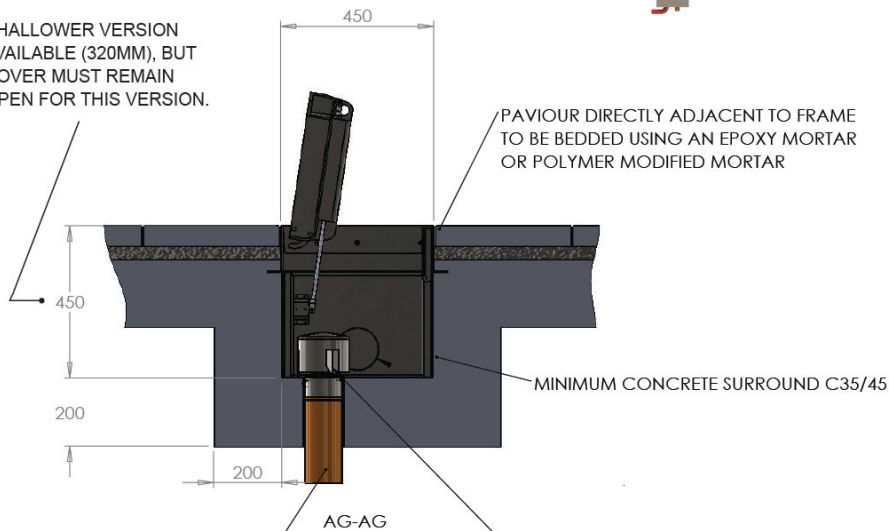
- Disposal of Produce



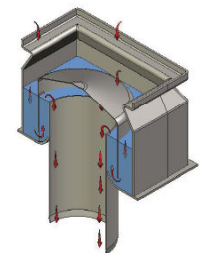
Loading FACTA B
(FACTA C and FACTA D available)



SHALLOWER VERSION AVAILABLE (320MM), BUT COVER MUST REMAIN OPEN FOR THIS VERSION.



N.B. ENSURE CONNECTION TO DRAINAGE SYSTEM





Projects



- Woolwich Market, London
- Broadgate Circle, London
- Cutty Sark, London
- Cubitt Park, London
- Handside Park, London
- Pancras Square, London
- Kings Cross Station, London
- Tollgate Retail Park, Colchester, Essex
- Giltbrook Retail Park, Nottingham
- Mayflower Retail Park, Basildon, Essex
- Yorkminster Cathedral, York



- Bishops Palace, Waterford
- Public Library Park, New Ross, Wexford
- The Mardyke, Cork



- Dubai Opera House



- Msheireb, Doha, Qatar



WT Burdens Middle East FZE

UAE Office: PO Box 261378 Jebel Ali Free Zone Dubai, UAE.
 Qatar Office: 102 Regus Bldg. D-Ring Doha, Qatar
 TEL: + 971 4 8860 700
 FAX: + 971 4 8860 701
 E-mail: civils@wtburden.ae
 Website: www.wtburden.ae